

CRANE<sup>®</sup> MERCHANDISING SYSTEMS

# VOCE Media

Parts Manual Models 605, 606, & 607



1. Refer to the machine breakdown above. Each assembly breakdown contains an item description and page location in this manual.
2. Determine part number(s) needed by referring to drawing of part. Locate item number from drawing and refer to item number, part number and description.
3. Complete your parts order, double check part numbers and quantities. Include a call back number in the event there is a question regarding your order. Fax, email, or mail your order to Crane Merchandising Systems or place your order online at [www.cranems.com](http://www.cranems.com).
4. Specify how you would like your order to ship. If you do not specify, we will ship the most economical way. In the case of warranty replacements, we reserve the right to determine the method of shipment.

Should you have questions pertaining to this manual or the vendor, please contact Crane Merchandising Systems or write directly to:

Crane Merchandising Systems  
3330 Crane Way  
Williston, SC 29853  
800.688.9090 or 800.621.7278  
803.266.5051 (fax)  
[www.cranems.com](http://www.cranems.com)

## Contents

<b>EXTERIOR DOOR VIEW '2A' (Fully Integrated)</b> .....	4
<b>EXTERIOR DOOR VIEW '2B' (Single Knockout)</b> .....	5
<b>EXTERIOR DOOR VIEW '2C' (Double Knockout)</b> .....	6
<b>BACKSIDE VIEW OF DOOR</b> .....	8
<b>INTERIOR CABINET VIEW</b> .....	10
<b>605 BREW CANISTER CONFIGURATIONS</b> .....	12
<b>606 SOLUBLE CANISTER CONFIG. DECAF OPT W/ 2 SOLUBLES</b> .....	13
<b>606 SOLUBLE CANISTER CONFIG. W/O DECAF OPT. W/3 SOLUBLES</b> .....	14
<b>607 (B2C) BEAN 2 CUP CANISTER CONFIG.</b> .....	15
<b>607 SBC CANISTER CONFIG.</b> .....	16
<b>607 B2C GRINDER ASSY</b> .....	17
<b>SUREVEND SENSORS</b> .....	18
<b>ELECTRONICS PANEL</b> .....	19
<b>FUSE &amp; RELAY PANEL</b> .....	20
<b>DISPENSE HEAD ASSEMBLY</b> .....	21
<b>TURRET AND CDU ASSEMBLY</b> .....	23
<b>CMS WHIPPER MIXING SYSTEM</b> .....	25
<b>NESTLE WHIPPER MIXING SYSTEM</b> .....	26
<b>WATER TANK ASSEMBLY</b> .....	27
<b>OLTRE BREWER-FRESHBREW USA</b> .....	29
<b>EXHAUST FAN ASSEMBLY</b> .....	30
<b>LIQUID &amp; GROUNDS BUCKET/FLOOR LINER</b> .....	31
<b>MISCELLANEOUS PARTS</b> .....	32

# EXTERIOR DOOR VIEW '2A' (Fully Integrated)



**EXTERIOR DOOR VIEW '2B' (Single Knockout)**

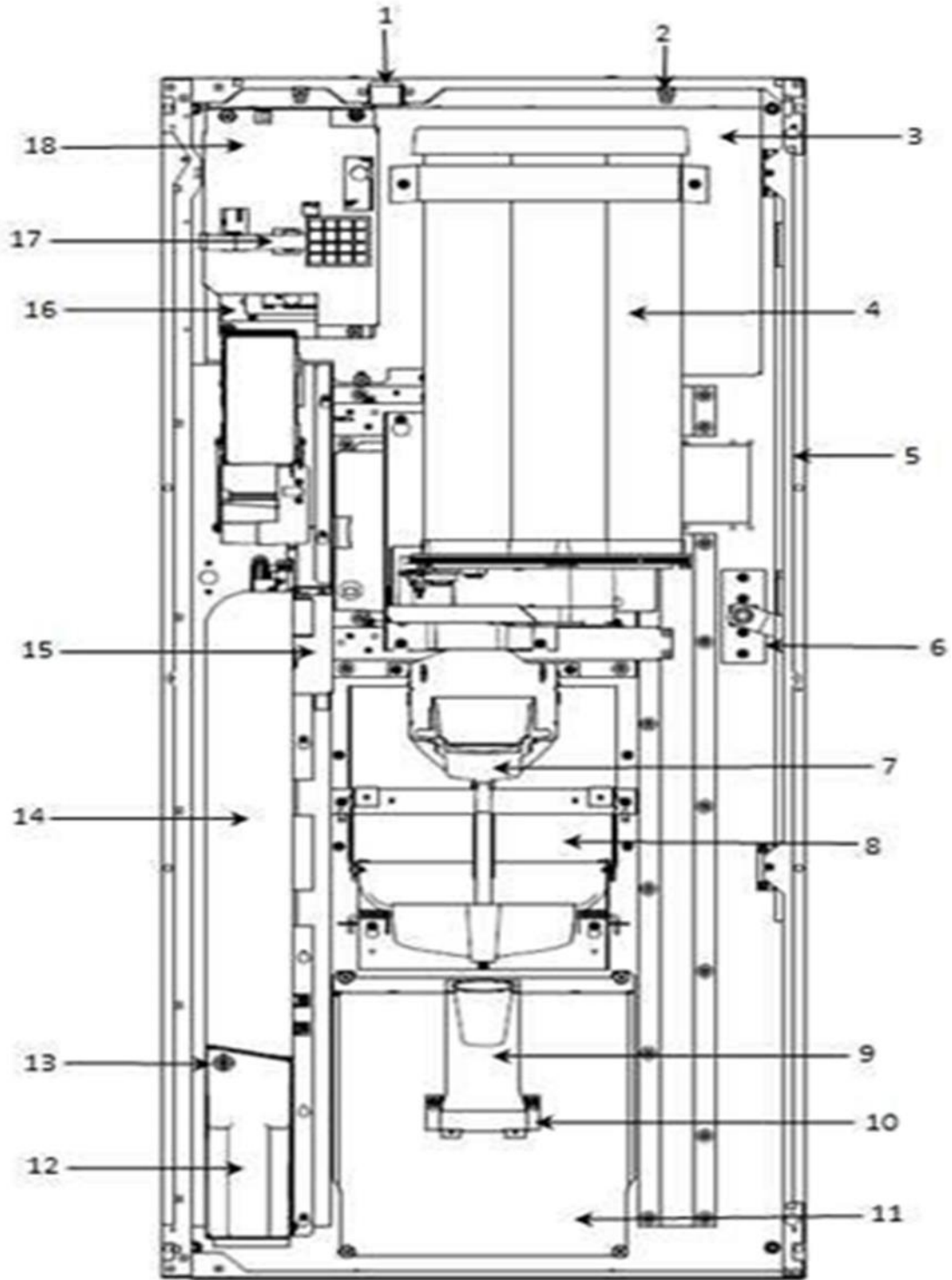


**EXTERIOR DOOR VIEW '2C' (Double Knockout)**



<b>EXTERIOR VIEW OF DOOR</b>		
<b>ITEM</b>	<b>PART NUMBER</b>	<b>DESCRIPTION</b>
1	106650	PLATINUM SURROUND-PAINTED
2	GLASS DOOR OPTIONS	
2A	104480	GLASS PRINT, VM CARD SW BLUE SWIRL (Fully Integrated)
2B	104479	GLASS PRINT, VM STANDARD US BLUE SWIRL (Single Knockout)
2C	111706	GLASS PRINT, 3 PAYMENT BLUE SWIRL (Double Knockout)
3	103800	INTEGRATED BILL VALIDATOR BEZEL
4	102873	INSERT, COIN RAMP - MERCHANT/BEVMAX-G
5	101357	ASSY, CARD READER, AND MAGHEAD, G
6	111084	COIN RETURN CUP FLAP
7	106493	KICK PLATE
8	110795	FOOT RIGID M12
9	104495	DRIP TRAY EVO
10	110794	ASSY. SPRING LOCK, LOW PROFILE HANDLE
11	104461	SCREEN 8.4" LCD
12	DOOR OPTIONS	
12A	111705	STANDARD KNOCKOUT, POLYCARB/PSG
12B	111707	FULLY INTEGRATED, POLYCARB/PSG
12C	111708	STANDARD KNOCKOUT W/NO COIN, POLYCARB/PSG
12D	111709	INTEGRATED W/STANDARD KNOCKOUT POLYCARB/PSG
Not Shown	111353	CARDREADER PLATE
Not Shown	402432	COIN RETURN CUP
Not Shown	104380	BEZEL, CARD READER BLANK
Not Shown	110776	MEDIA ATM HARNESS
Not Shown	106699	PLATE, INT BEZEL W/ PEM ASSY
Not Shown	108104	BRACKET, TRANSITION ASSY INT BZL
Not Shown	106551	BRACKET, POLY DOOR W/ PEM ASSY (FOR ATTACHING POLY. DOOR)
Not Shown	100842	CARDREADER ELEC HARNESS
Not Shown	113004	PLATE, INTEGRATED BEZEL
Not Shown	110772	MEDIA DOOR LOOM
Not Shown	110777	MAIN DC TO DOOR

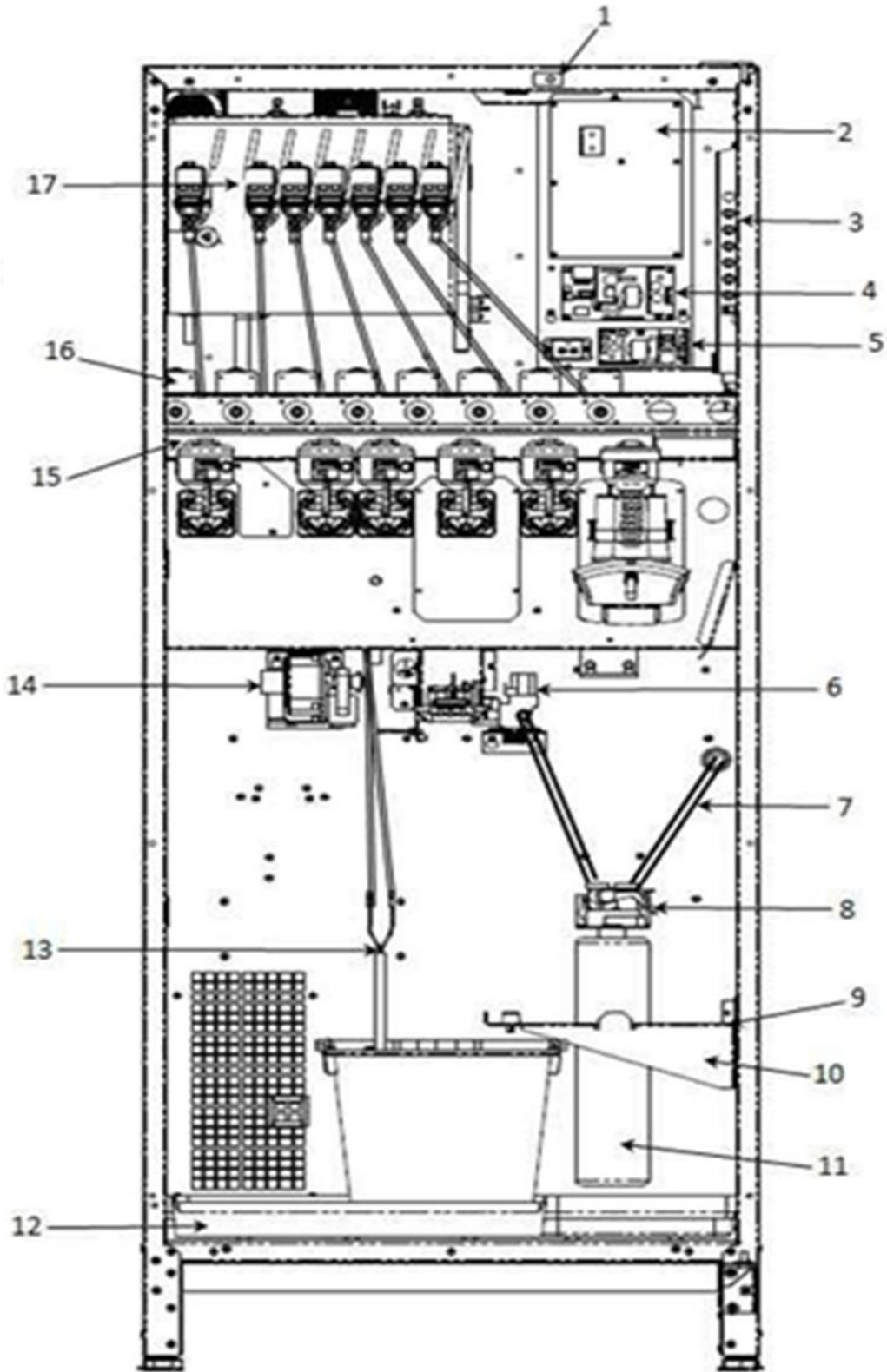
# BACKSIDE VIEW OF DOOR





<b>BACKSIDE VIEW OF DOOR</b>		
<b>ITEM</b>	<b>PART NUMBER</b>	<b>DESCRIPTION</b>
1	110816	DOOR BRACKET, SWITCH ACTUATION
2	104471	BUTTON, FIR TREE BLACK
3	110738	ASSY, UPPER LED STRIP
4	CUP DROP UNIT TUBES (4A, 4B,4C)	
	111092	7/9 OZ TURRET TUBE
	104515	12 OZ TURRET TUBE
	111093	16/20 OZ. TURRET
5	110810	LOCK BAR
6	110794	ASSY, SPRING LOCK, LOW PROFILE HANDLE
7	CUP CATCHER (7A, 7B, 7C)	
	111081	CUP CATCHER 73MM (7oz/9oz)
	111082	CUP CATCHER 80MM (12oz )
	104379	CUP CATCHER 90MM (12oz-20oz)
8	109262	CUP DROP UNIT ,12oz
9	111533	DRIP CUP CATCHER BRACKET
10	N/A	PIVOT DRIP CATCH BRACKET
11	110739	LOWER LED STRIP
12	103195	COIN BOX
13	110784	CASHBOX LOCK
14	104521	BLANKING PANEL
15	102975	ASSY PCB LED DRIVER-GLOBAL
16	402472	ATLAS G MOUNTING PLATE
17	110730	GEN EVO PROGRAM KEYPAD
18	110666	ATLAS BOARD COVER VOCE
Not Shown	110788	KEY, CASHBOX #300245
Not Shown	110808	TOP MODULE PANEL
Not Shown	112604	BILL VALIDATOR MOUNTING
Not Shown	104513	DRIP TRAY
Not Shown	104503	CUP CATCHER CLIP
Not Shown	110662	BRACKET, LED INTEGRATED BEZEL
Not Shown	N/A	CASHBOX LOCK CAM
Not Shown	112999	VALIDATOR MOUNTING PLATE

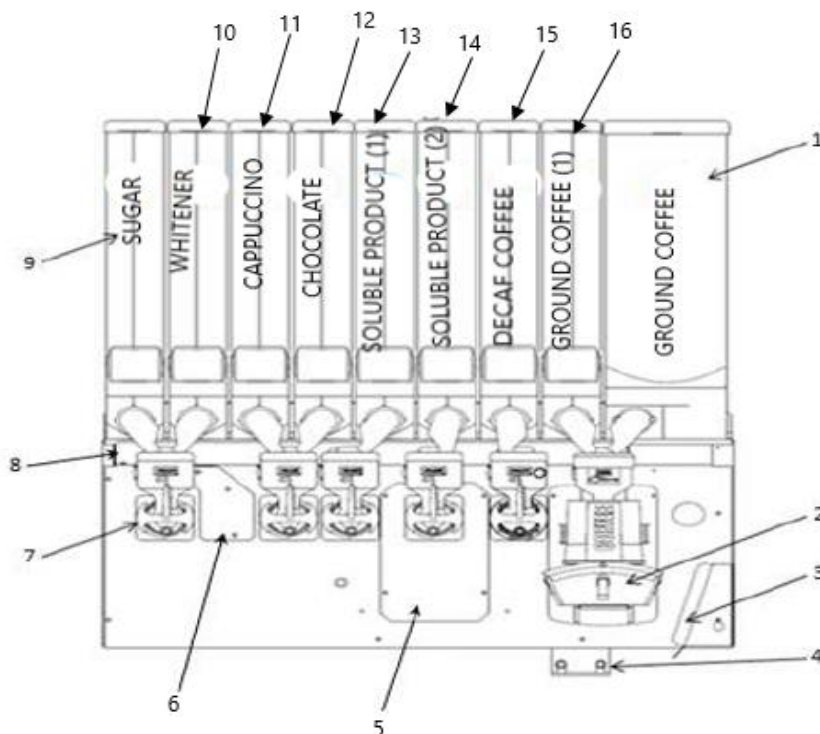
# INTERIOR CABINET VIEW



## INTERIOR CABINET VIEW

ITEM	PART NUMBER	DESCRIPTION
1	103121	INTERLOCK DOOR SWITCH
2	110731	I/O VOCE MEDIA BOARD
3	110806	PSU BRACKET
4	104462	POWER SUPPLY, SMPSU 24VDC
5	110735	12V DC PWR SUPPLY SIMPSU
6	109315	VALVE, INLET 24V DC DOUBLE
7	104483	HOSE, EVRPR 3/4 BSP-3/8 NPT SP
8	107217	HEAD EVERPURE #9257 12
9	109278	SIDE BUCKET SUPPORT RAIL
10	106533	BUCKET STAND
11	103824	WATR FILTER 9611-00-4H, EVERPURE
	107452	HYDRO LIFE ADAPTER KIT
12	104434	LINER, FLOOR, VOCE
13	104493	ASSY., WASTE LEVEL PROBE
14	109259	EXHAUST FAN - 120VAC - USA
15	402480	MODULE, EXTRACT TRAY, (TFB)
16	110802	INGREDIENT MOTOR 24VDC - 125 RPM
17	106868	KIT VALVE & SEAL (MULLER) - 24VDC
Not Shown	111118	VALVE DISPENSE 24V DC - (MÜLLER)
Not Shown	111116	SEAL, PORT, VALVE - (MÜLLER)
Not Shown	104532	VALVE, DISPENSE, REPAIR KIT (MÜLLER)
Not Shown	108364	BRACKET-MOUNTING-WATER FILTER
Not Shown	104482	ASSY SPRAY HOSE
Not Shown	103958	FILTER HEAD, EVERPURE, #9259-24A
Not Shown	N/A	PLATE, FILTER HEAD ASSY

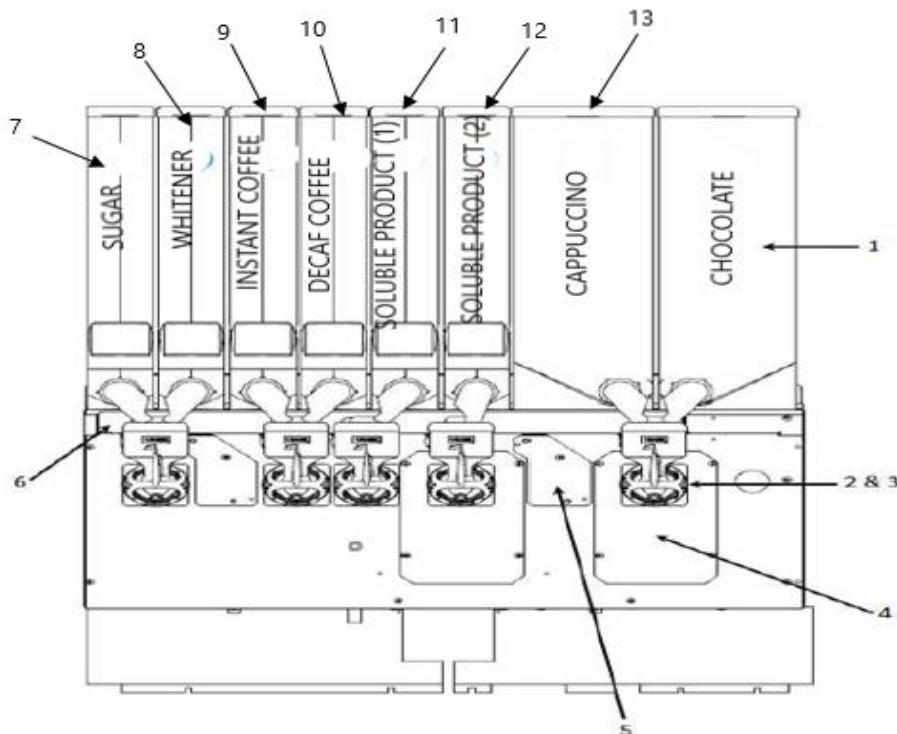
# 605 BREW CANISTER CONFIGURATIONS



## 605 BREW CANISTER CONFIGURATIONS

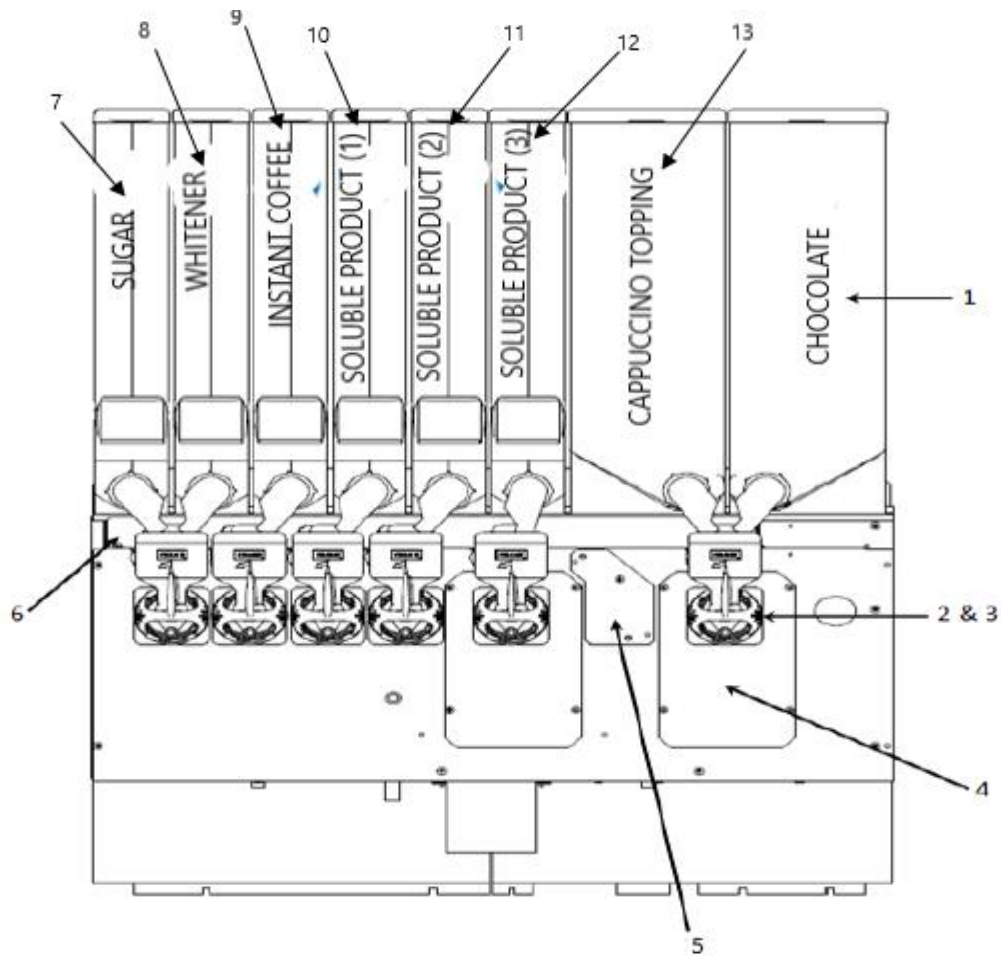
ITEM	PART NUMBER	DESCRIPTION
1	104520	CAN S x 137 x 460 & AGITATOR & SS FB (GROUND COFFEE 2)
2	109263	BREWER ASSY., OLTRE 83MM - COMPLETE
3	109279	WASTE CHUTE, OLTRE BREWER, RH
4	110797	PERISTALTIC PUMP ASSY.
5	110717	TUBING, PERISTALTIC PUMP
6	110817	BLANKING PLATE, WHIPPER (LARGE)
7	104491	BLANKING PLATE, WHIPPER (SMALL)
CMS MIXING SYSTEM (PAGE )		
8	402480	MODULE, EXTRACT TRAY (TFB)
605 BREW CANISTER ASSEMBLY		
9	104501	CANISTER 67W X 460H NO AGITATOR (SUGAR)
10	104499	CANISTER 67WX460H WITH AGITATOR (WHITENER)
11	104499	CANISTER 67WX460H WITH AGITATOR (CAPPUCCINO TOPPING)
12	104499	CANISTER 67WX460H WITH AGITATOR (CHOCOLATE)
13	104499	CANISTER 67WX460H WITH AGITATOR (SOLUBLE PRODUCT 1)
14	104499	CANISTER 67WX460H WITH AGITATOR (SOLUBLE PRODUCT 2)
15	104501	CANISTER 67W X 460H NO AGITATOR (DECAF COFFEE)
16	104520	CANISTER SX137X460&AGT&SS FRESH BREW (GROUND COFFEE 1)
Not Shown	104424	CHUTE, CANISTER LH LONG STAMPED WITH S
Not Shown	104425	CHUTE, CANISTER RH LONG STAMPED WITH D

## 606 SOLUBLE CANISTER CONFIG. DECAF OPT W/ 2 SOLUBLES



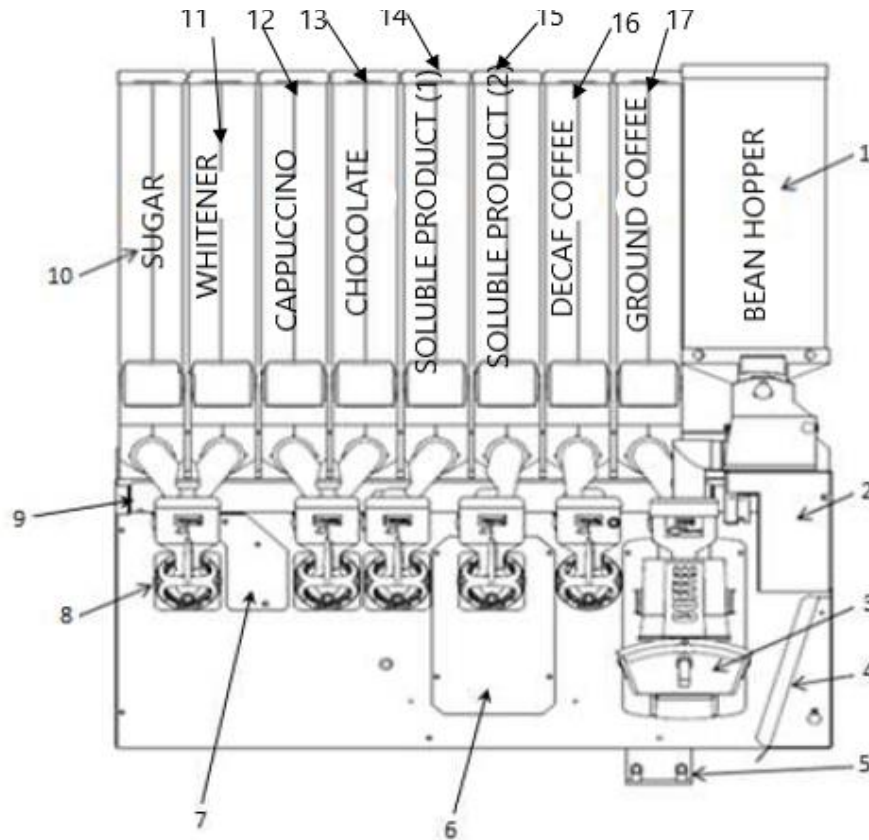
<b>606 SOLUBLE CANISTER CONFIG. DECAF OPT. W/ 2 SOLUBLES</b>		
<b>ITEM</b>	<b>PART NUMBER</b>	<b>DESCRIPTION</b>
1	104497	CANISTER, LH SX137X460H (CHOCOLATE)
2	110798	CMS MIX SYS MOTOR ASSY (SEE PAGE )
3		NESTLE MIXING MOTOR ASSY
4	110817	BLANKING PLATE, WHIPPER (LARGE)
5	104491	BLANKING PLATE, WHIPPER (SMALL)
6	110809	EXTRACT XY SPECN MODULE
7	104501	CANISTER 67W X 460H NO AGITATOR (SUGAR)
8	104499	CANISTER 67WX460H WITH AGITATOR (WHITENER)
9	104501	CANISTER 67W X 460H NO AGITATOR (INSTANT COFFEE)
10	104501	CANISTER 67W X 460H NO AGITATOR (INSTANT DECAF COFFEE)
11	104499	CANISTER 67WX460H WITH AGITATOR (SOLUBLE PRODUCT #1)
12	104499	CANISTER 67WX460H WITH AGITATOR (SOLUBLE PRODUCT #2)
13	104509	CANISTER, RH 137D X460H (CAPPUCCINO TOPPING)
Not Shown	104424	CHUTE, CANISTER LH LONG STAMPED WITH S
Not Shown	104425	CHUTE, CANISTER RH LONG STAMPED WITH D

# 606 SOLUBLE CANISTER CONFIG. W/O DECAF OPT. W/3 SOLUBLES



<b>606 SOLUBLE CANISTER CONFIG. W/O DECAF OPT. W/ 3 SOLUBLES</b>		
<b>ITEM</b>	<b>PART NUMBER</b>	<b>DESCRIPTION</b>
1	104497	CANISTER, LH SX137X460H (CHOCOLATE)
2	110798	CMS MIX SYS MOTOR ASSY (SEE PAGE )
3		NESTLE MIXING MOTOR ASSY
4	110817	BLANKING PLATE, WHIPPER (LARGE)
5	104491	BLANKING PLATE, WHIPPER (SMALL)
6	110809	EXTRACT XY SPECN MODULE
7	104501	CANISTER 67W X 460H NO AGITATOR (SUGAR)
8	104499	CANISTER 67WX460H WITH AGITATOR (WHITENER)
9	104501	CANISTER 67W X 460H NO AGITATOR (INSTANT COFFEE)
10	104499	CANISTER 67WX460H WITH AGITATOR (SOLUBLE PRODUCT #1)
11	104499	CANISTER 67WX460H WITH AGITATOR (SOLUBLE PRODUCT #2)
12	104499	CANISTER 67WX460H WITH AGITATOR (SOLUBLE PRODUCT #3)
13	104509	CANISTER, RH 137D X460H (CAPPUCCINO TOPPING)
Not Shown	104424	CHUTE, CANISTER LH LONG STAMPED WITH S
Not Shown	104425	CHUTE, CANISTER RH LONG STAMPED WITH D

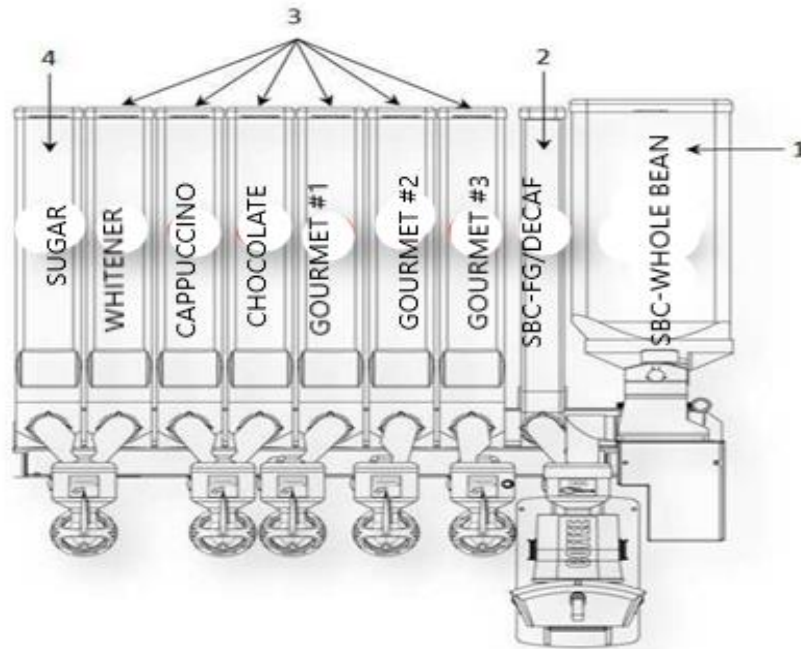
## 607 (B2C) BEAN 2 CUP CANISTER CONFIG.



### 607 B2C CANISTER CONFIG.

ITEM	PART NUMBER	DESCRIPTION
1	104518	HOPPER, BEAN, ROUND (3LB)
2	104490	GRINDER & MOTOR 120VAC
3	109263	OLTRE 83MM CMLPT BREWER
4	109279	OLTRE RH WASTE CHUTE
5	110797	PUMP PERISTALTIC 24V DC
6	110817	BLANKING PLATE, WHIPPER (LARGE)
7	104491	BLANKING PLATE, WHIPPER (SMALL)
8	110798	CMS MIX SYS MOTOR ASSY (SEE PAGE )
9	402480	MODULE, EXTRACT TRAY (TFB)
10	104501	CANISTER 67W X 460H NO AGITATOR (SUGAR)
11	104499	CANISTER 67WX460H WITH AGITATOR (WHITENER)
12	104499	CANISTER 67WX460H WITH AGITATOR (CAPPUCCINO TOPPING)
13	104499	CANISTER 67WX460H WITH AGITATOR (CHOCOLATE)
14	104499	CANISTER 67WX460H WITH AGITATOR (SOLUBLE PRODUCT #1)
15	104499	CANISTER 67WX460H WITH AGITATOR (SOLUBLE PRODUCT #2)
16	104501	CANISTER 67W X 460H NO AGITATOR (DECAF COFFEE)
17	104500	CANISTER 67W X 460H SS WITH AUGERS & AGITATOR (GROUND COFFEE)

## 607 SBC CANISTER CONFIG.



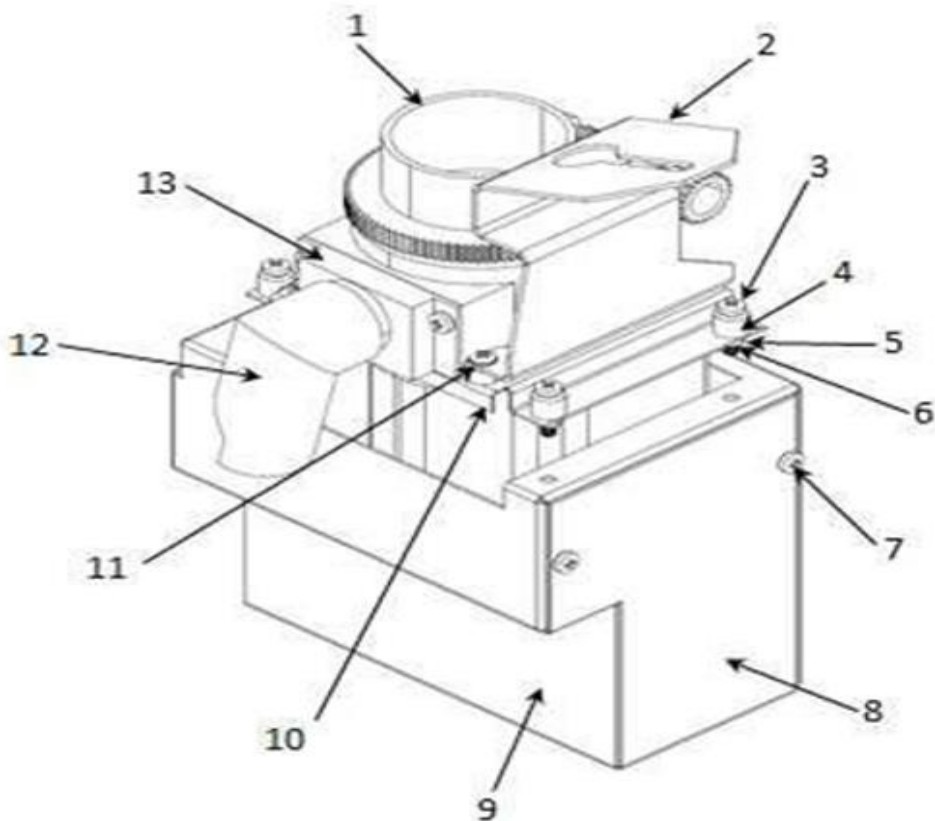
NOTE: SBC canisters are product specific as set by our agreement with SEATTLE'S BEST

607 SBC CANISTER CONFIG.		
ITEM	PART NUMBER	DESCRIPTION
1	108392	CANISTER, LARGE BEAN W/ BRACKET (SBC LEVEL 3-WHOLE BEAN)
2	104498	CANISTER, 42X183X460 CANISTER (SBC LEVEL 4-FG/DECAF)
3	104499	CANISTER 67WX460H WITH AGITATOR (WHITENER,CAPPUCCINO,CHOCOLATE,GOURMET #1, #2, #3)
4	104501	CANISTER 67W X 460H NO AGITATOR (SUGAR)
Not Shown	104426	SUPPORT BRACKET,BEAN TO CUP (for 8lb. Bean Canister)
Not Shown	110658	BRACKET, CANISTER ALIGNMENT

1. Sugar – 7.9 lbs. (3.6 kg)
2. Creamer – 5.8 lbs. (2.6 kg)
3. Cappuccino Topping – 4.8 lbs. (2.2 kg)
4. Chocolate – 6.5 lbs. (2.9 kg)
5. Flavor #1 gourmet soluble – 6.5 lbs. (2.9 kg)
6. Flavor #2 gourmet soluble – 6.5 lbs. (2.9 kg)
7. Flavor #3 gourmet soluble – 6.5 lbs. (2.9 kg)
8. FG or Decaf Coffee – 2.1 lbs. (1.0 kg)
9. Whole Bean Coffee – 7.7 lbs. (3.5 kg)



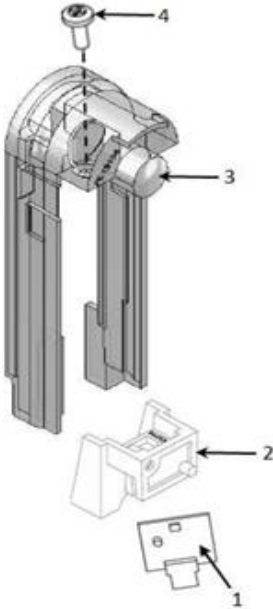
## 607 B2C GRINDER ASSY



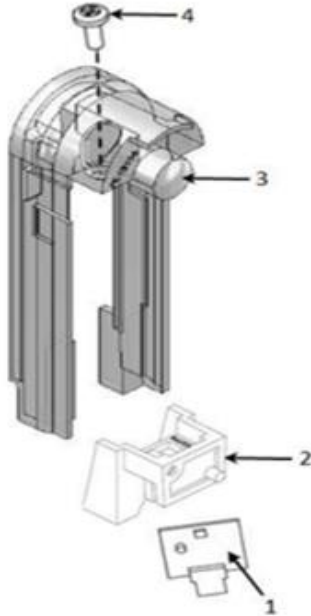
<b>607 B2C GRINDER ASSEMBLY</b>		
<b>ITEM</b>	<b>PART NUMBER</b>	<b>DESCRIPTION</b>
1	104490	GRINDER & MOTOR 120VAC
2	106506	BEAN CANISTER BRACKET, SUPPORT
3	N/A	SCREW, M4 X 6 POZI PAN
4	104485	M/F BOBBIN MOUNT M4
5	110743	NUT, M4 HEX FULL
6	104470	M4 STEEL EXT. SHAKE PROOF WASHER
7	100321	SCREW, R, 8-32 x 3/8 TYPE 1, HEX WASHER B
8	N/A	COVER GRINDER MODULE
9	106497	MODULE, GRINDER
10	N/A	MOUNTING BRACKET - GRINDER MOTOR
11	104469	SCREW, M4 X 16 POZI PAN REC
12	104425	CANISTER CHUTE, RH - LONG
13	N/A	TRANSITION CHUTE, GRINDER
Not Shown	110770	LOOM, GRINDER - VOCE
Not Shown	N/A	MODULE, INFILL
Not Shown	110751	BLANKING PLUG 30MM

# SUREVEND SENSORS

SUREVEND™ EMITTER SENSOR

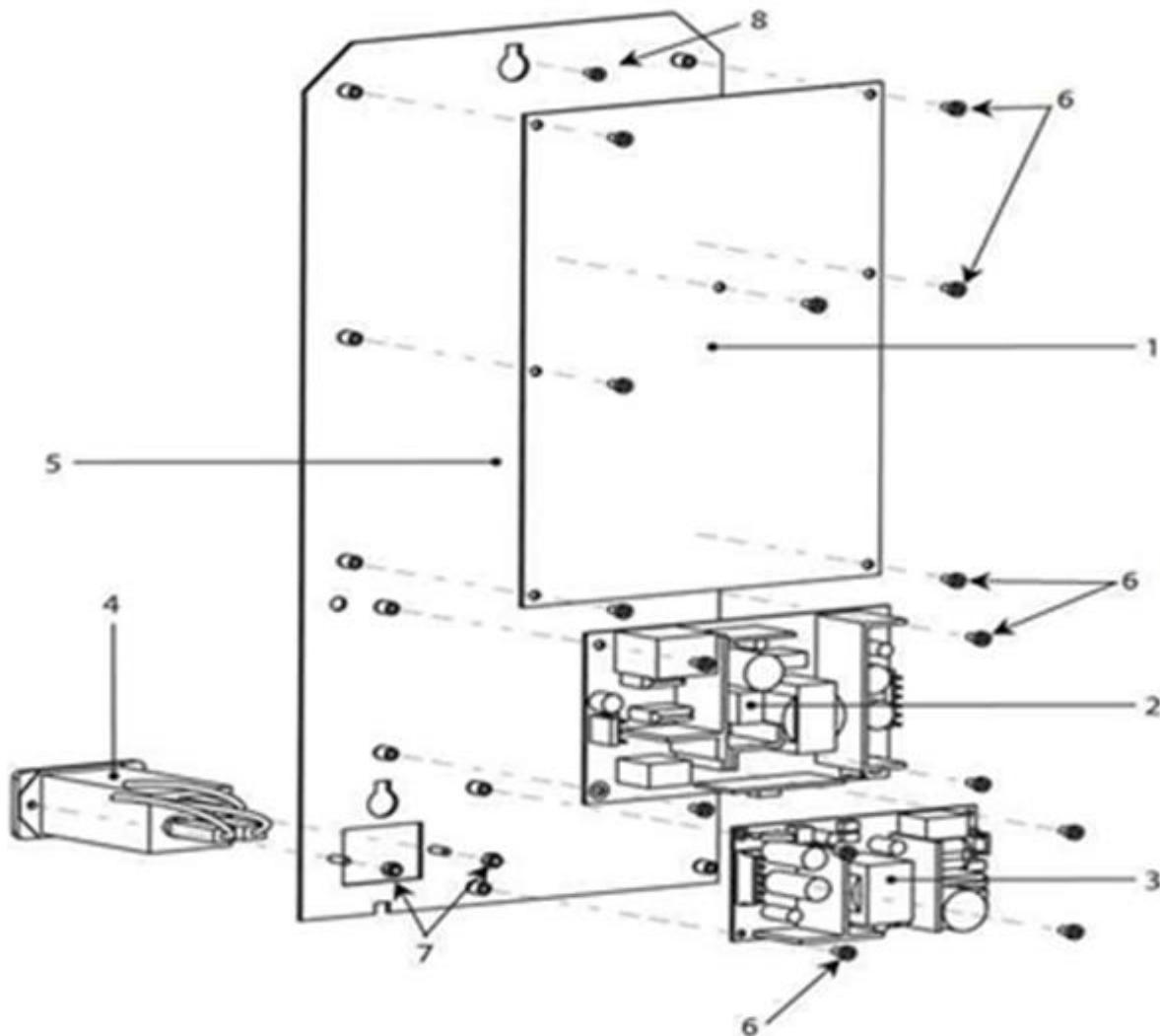


SUREVEND™ DETECTOR, RH



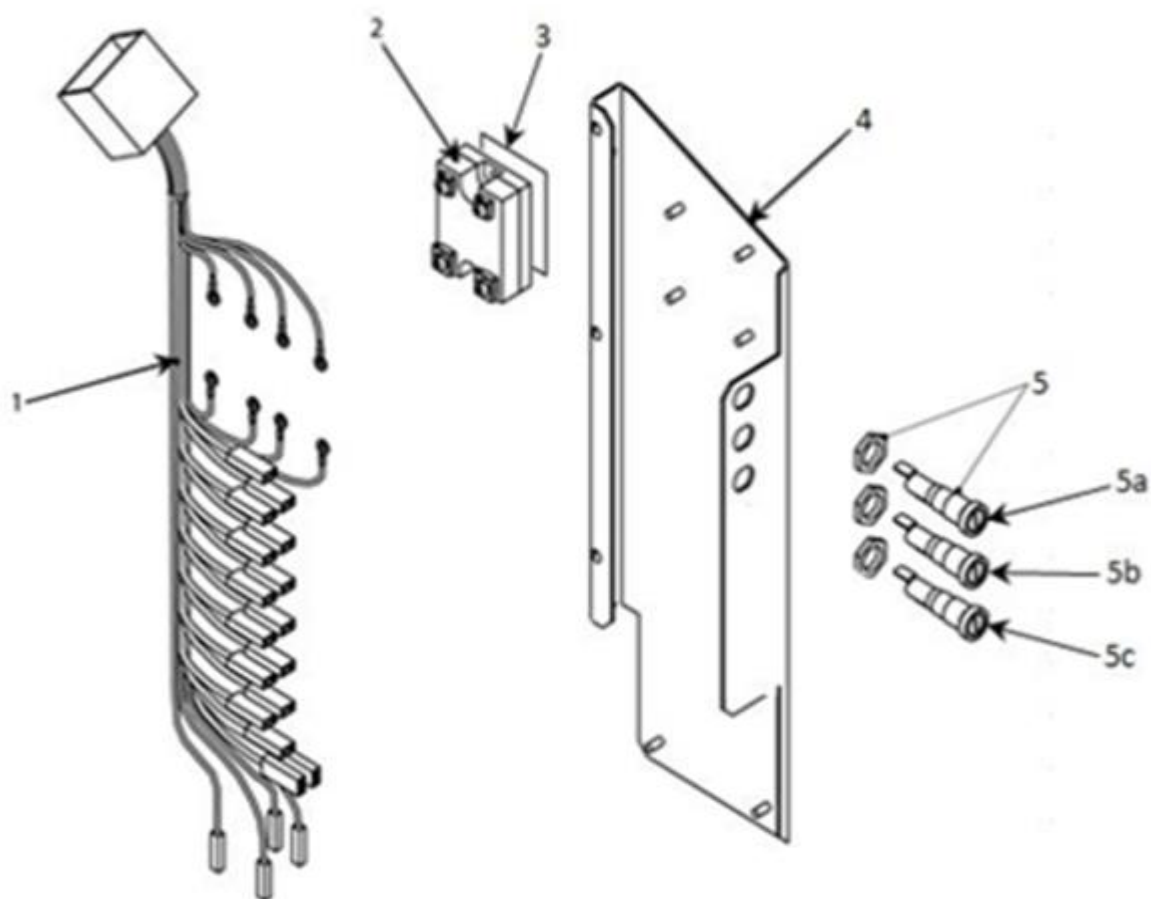
SUREVEND SENSORS			
ITEM	EMITTER	DETECTOR	DESCRIPTION
1	110732	110732	PCB CUP SENSOR - VOCE SP (SOLD AS A PAIR)
2	400819	115499	BRACKET, SUREVEND
3	111083	111083	LENS CUP SENSOR - VOCE SP
4	104473	104473	SCREW, K40 X 10 PT TORX - VOCE SP

# ELECTRONICS PANEL



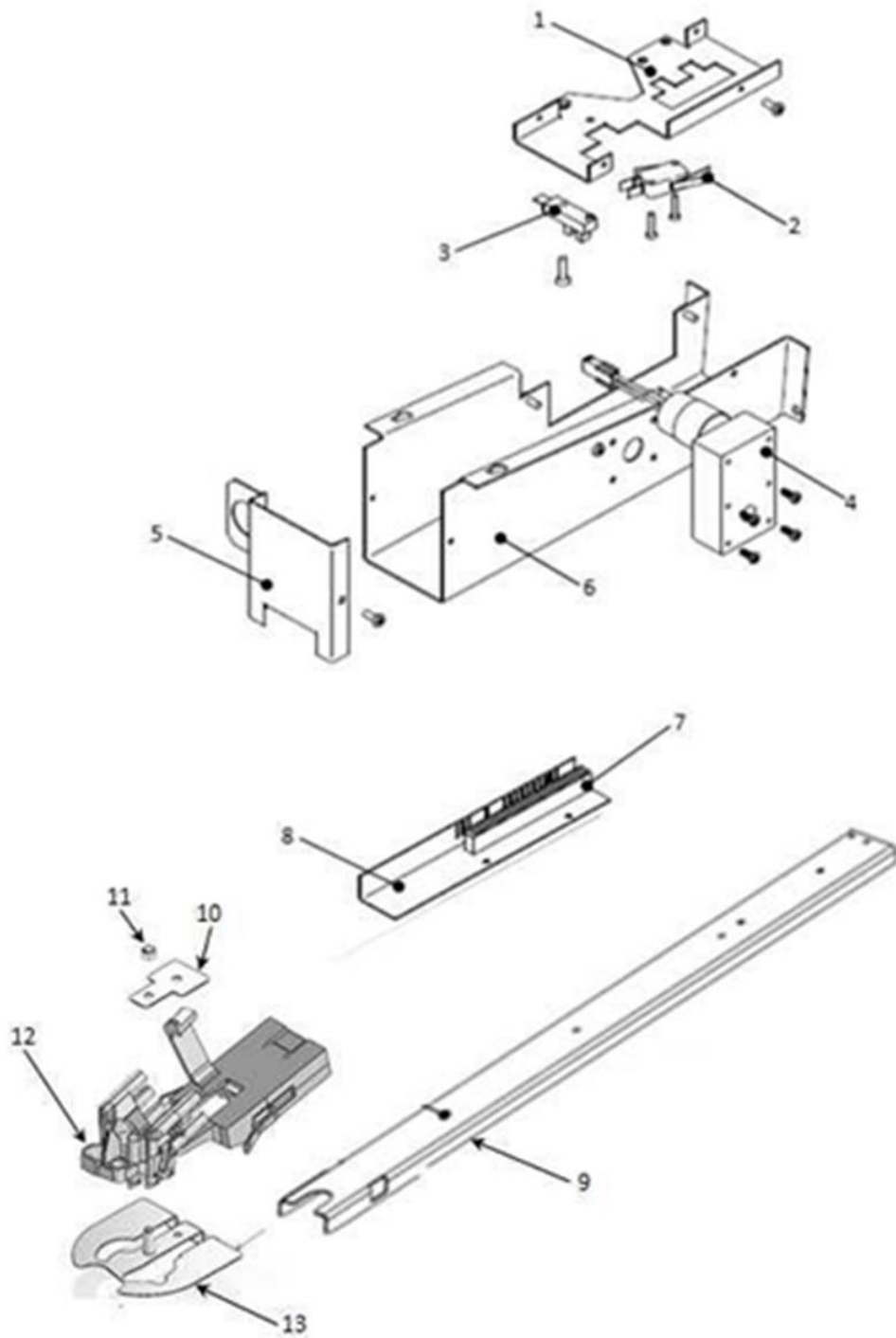
<b>ELECTRONICS PANEL</b>		
<b>ITEM</b>	<b>PART NUMBER</b>	<b>DESCRIPTION</b>
1	110731	I/O BOARD VOCE MEDIA
2	104462	POWER SUPPLY, SMPSU 24VDC
3	110735	POWER SUPPLY, SMPSU 12VDC
4	109244	FILTER MAINS - IEC TYPE
5	402482	PLATE - I/O CIRCUIT BOARD
6	N/A	POZI PAN SCREW, M3 x 6
7	110749	SELF-LOCKING NUT, M4
8	110750	SCREW, M5 x 10 TAPTITE POZI PAN HEAD
Not Shown	110734	ATLAS PCB MEDIA W/ SOFTWARE
Not Shown	109253	HARNESS, 12C COMMS (CONTROL BD. TO I/O BD.)
Not Shown	100638	LED ACCENT BOARD

## FUSE & RELAY PANEL



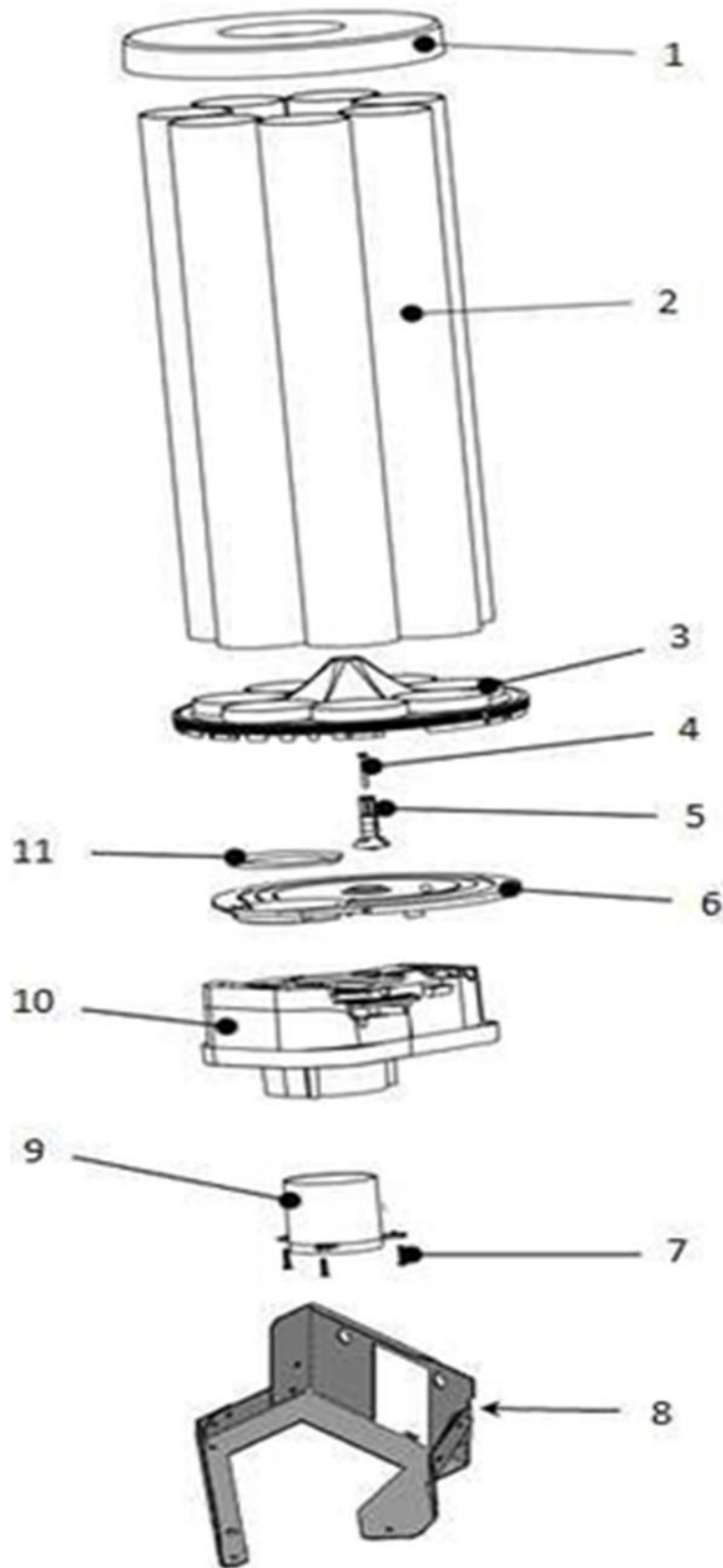
<b>FUSE &amp; RELAY PANEL</b>		
<b>ITEM</b>	<b>PART NUMBER</b>	<b>DESCRIPTION</b>
1	110767	EVO/INF PSU HARNESS - INSTANT / FB VOCE
2	112510	HEATER RELAY SSR, 25A
3	N/A	PAD, SSR HEAT TRANSFER
4	110806	BRACKET, PSU
5	402405	GENERIC FUSE HOLDER ASSY.
5A	110729	FUSE, 12A - 250V
5B	109230	FUSE, 4A
5C	110741	FUSE, 3.2A / 250V SLO-BLOW
Not Shown	108152	MAINS LEAD IEC USA

# DISPENSE HEAD ASSEMBLY



<b>DISPENSE HEAD ASSEMBLY</b>		
<b>ITEM</b>	<b>PART NUMBER</b>	<b>DESCRIPTION</b>
----	111120	VM DISPENSE HEAD-US ASSEMBLY
1	N/A	CHANNEL, DISPENSE HEAD (Not sold separately-part of 111120)
2	109233	SWITCH & LEVER, CHERRY DISP HEAD
3	109236	OPTO DEVICE, DISPENSE HEAD SV
4	109275	MOTOR, 24VDC, 50 RPM
5	N/A	FRONT COVER, DISPENSE HEAD (Not sold separately- part of 110805)
6	110805	BODY, DISPENSE HEAD
7	N/A	RACK, MOULDING, DISPENSE HEAD (Part of 111120)
8	N/A	CODE ANGLE, DISPENSE HEAD (Part of 111120)
9	110811	DISPENSE HEAD ARM
10	110813	CLAMPING PLATE - DISPENSE HEAD - US
11	N/A	M5 NYLOC STAINLESS STEEL NUT
12	111096	DISPENSE HEAD MOULDING
13	N/A	BLANKING PLATE DISPENSE HEAD – US (Part of 111096)
Not Shown	111077	NOZZLE SET MOULDED
Not Shown	104484	DISPENSE HEAD LOOM
Not Shown	109256	MOTOR LINK C/N 100nF CAP
Not Shown	109314	FASTNR, DISPENSE 24V DC

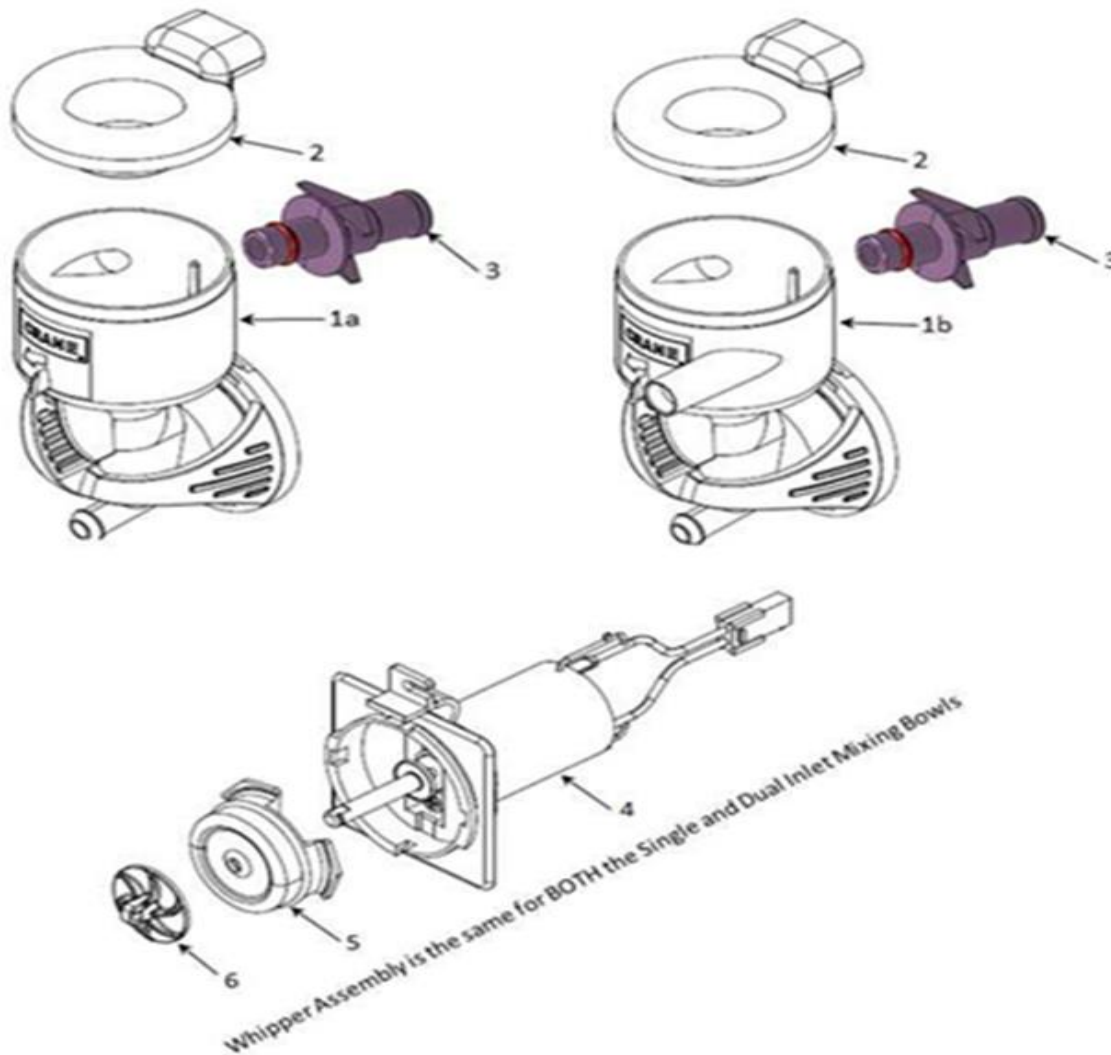
# TURRET AND CDU ASSEMBLY



<b>TURRET &amp; CDU ASSEMBLY</b>		
<b>ITEM</b>	<b>PART NUMBER</b>	<b>DESCRIPTION</b>
----	111969	CDU & TURRET, 5 STACK ASSEMBLY-COMPLETE
----	111970	CDU & TURRET, 6 STACK ASSEMBLY-COMPLETE
----	111919	CDU & TURRET, 7 STACK ASSEMBLY-COMPLETE
1	104401	TURRET LID, 5 stack (90mm cups)
	104402	TURRET LID, 6 stack (80mm cups)
	108153	TURRET LID, 7 stack (70/73mm cups)
2	111093	TUBE, 12oz. / 16oz. TURRET, VOCE - (SMR CUPS)
	104515	TUBE, 12oz. TURRET, VOCE - (SVS CUPS)
	111092	TUBE, TURRET 7oz./8oz./9oz. - VOCE (SVR CUPS)
3	104517	CAROUSEL, 5 STACK 306mm, VOCE - SP
	104514	CAROUSEL, 6 STACK INSERT - VOCE SP
	104508	CAROUSEL, 7 STACK 306mm - VOCE SP
4	104469	SCREW, M4 x 16 POZIPAN REC
5	104506	CAROUSEL PIN TOP
6	104507	CAROUSEL PLATE 306mm
7	104494	PT PAN SCREW - M4 x 20
8	111538	BRACKET, CDU MOUNT, VOCE
9	104516	80mm (12oz.) CUP THROAT (not used on 2a)
10	104486	CDU ASSEMBLY
11	111095	CUP REDUCING RING (70/73mm)
	104519	CUP REDUCING RING (80mm)
Not Shown	109319	CMS CDU RETRO KIT 12OZ (CONVERTING 12OZ OLD STYLE)
Not Shown	402886	CUP SENSOR PCB (PAIR)KIT

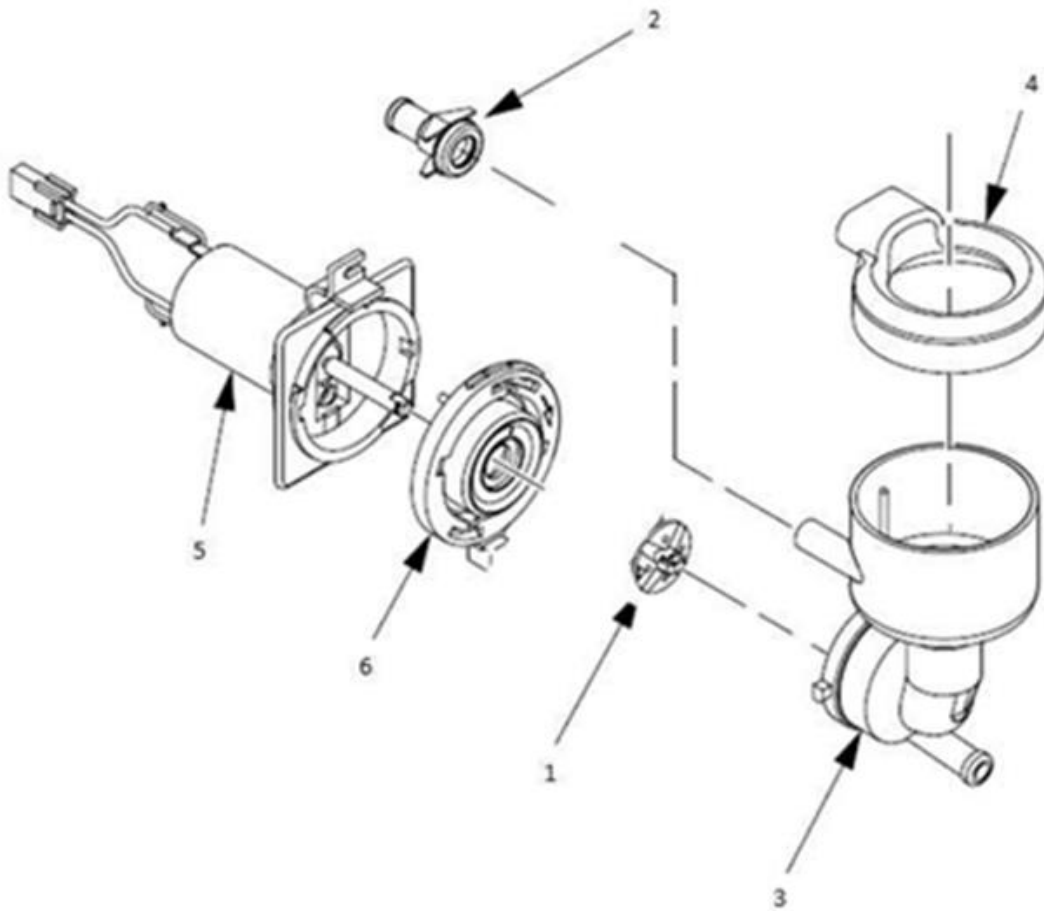


# CMS WHIPPER MIXING SYSTEM



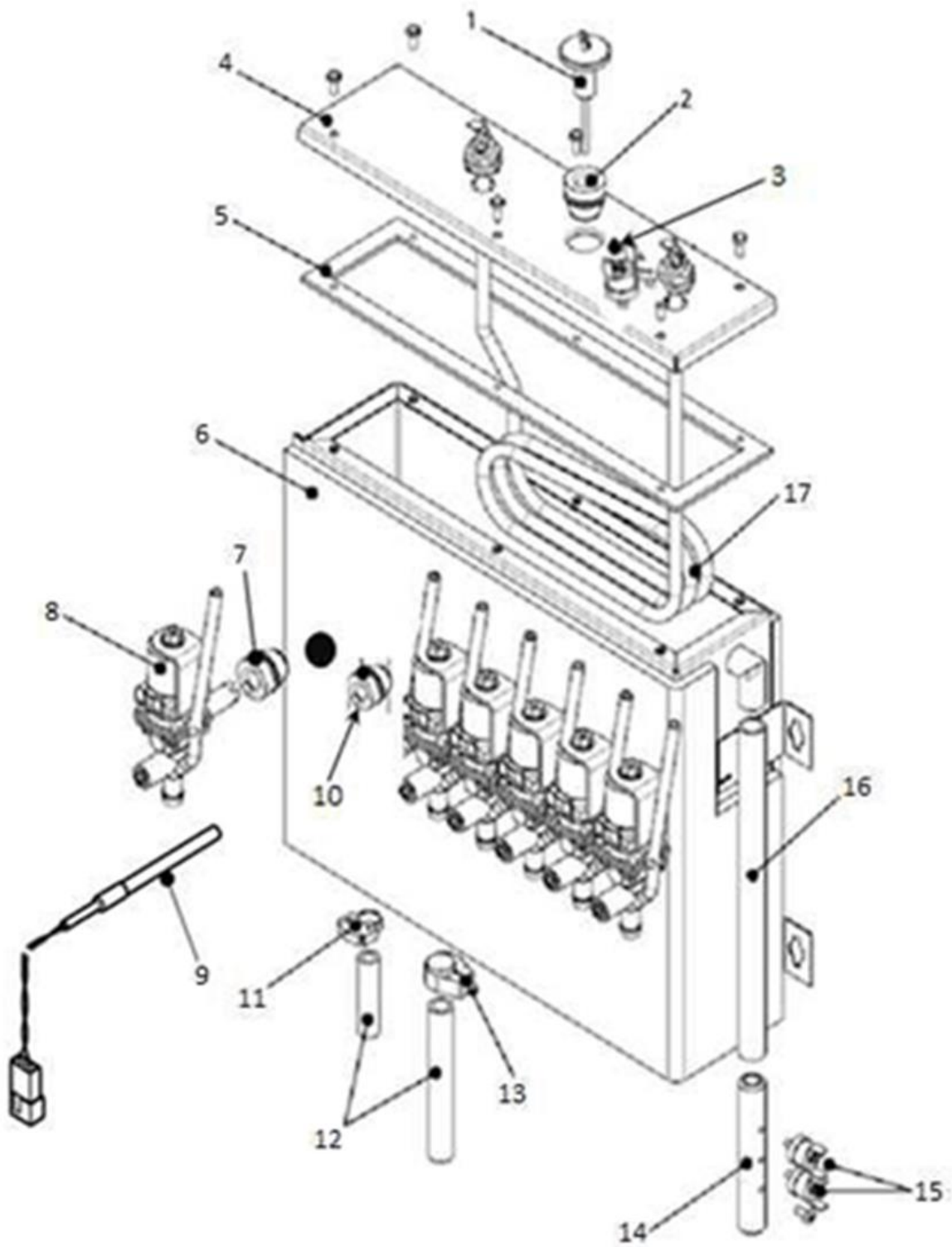
<b>CMS WHIPPER MIXING SYSTEM</b>		
<b>ITEM</b>	<b>PART NUMBER</b>	<b>DESCRIPTION</b>
----	110798	CMS WHIPPER MIXING SYSTEM
1A	110799	MIXING BOWL, SINGLE INLET - VOCE SP
1B	109270	DUAL INLET MIXING BOWL - VOCE SP
2	111088	STEAM HOOD, CMS MIXING SYSTEM
3	110800	ASSY, ADAPTOR BOWL - VOCE SP
4	109276	MOTOR ASSY. 3K RPM 24V DC
5	111089	SEAL, WHIPPER BOWL
6	111087	IMPELLER, CMS MIXING SYSTEM
Not Shown	109316	OLTRE COFFEE HYGIENE KIT
Not Shown	109317	VOCE INSTANT HYGIENE KIT
Not Shown	109318	OLTRE TEA HYGIENE KIT

# NESTLE WHIPPER MIXING SYSTEM



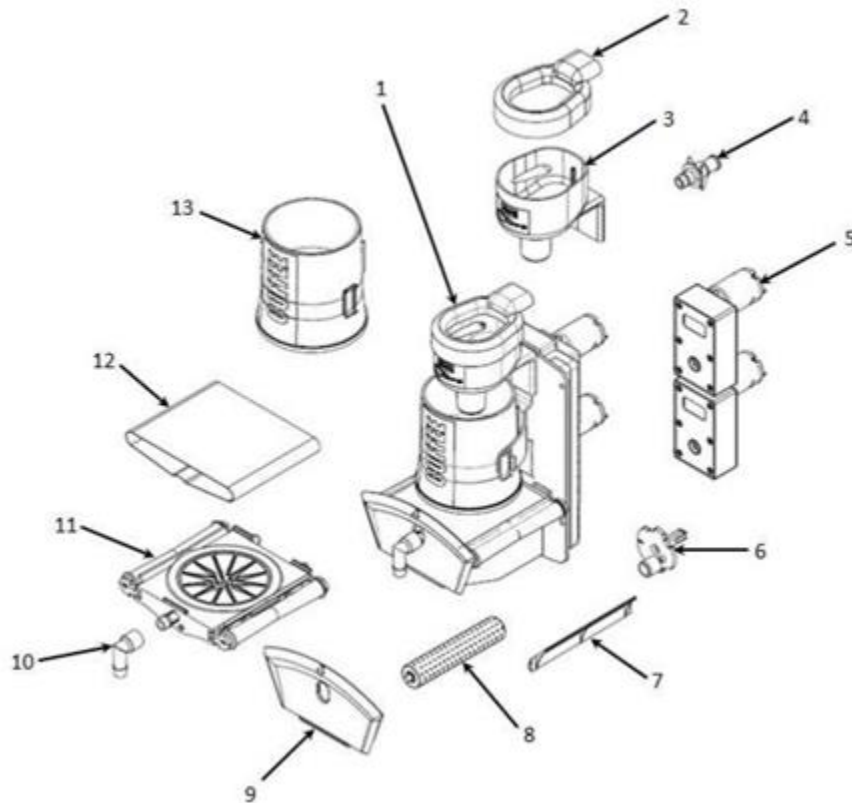
NESTLE WHIPPER MIXING SYSTEM		
ITEM	PART NUMBER	DESCRIPTION
		NESTLE MIXING SYSTEM
1	104026	IMPELLER - WHIPPER - BLACK
2	104027	BULKHEAD - MIXING BOWL
3	107543	MIXING BOWL-WHIPPER HOUSING-BLACK
4	107544	CAP - MIXING BOWL - BLACK
5	110501	CASIC - WHIPPER MOTOR ASSY.
6	104339	COLLAR, LOCKING, WHIPPER
Not Shown	107574	HARNESS, WHIPPER

# WATER TANK ASSEMBLY



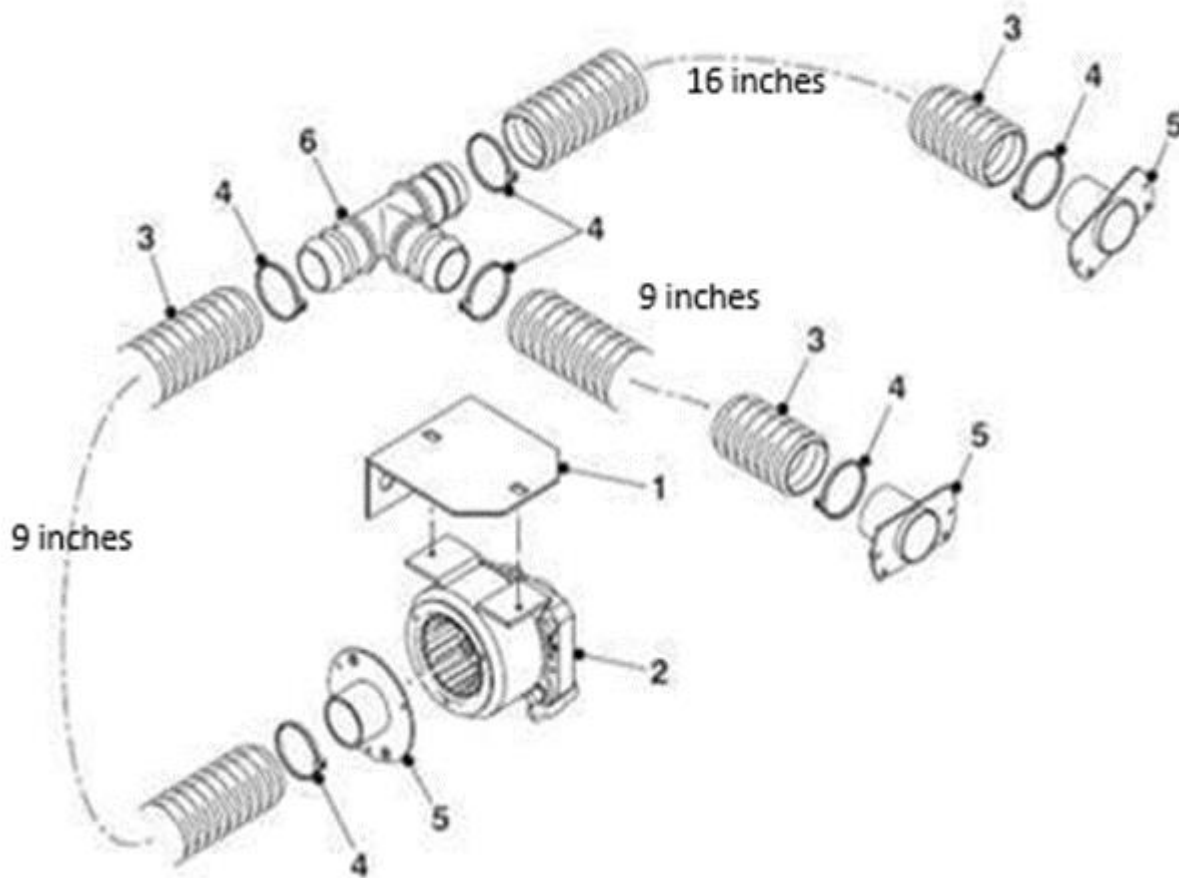
<b>WATER TANK ASSEMBLY</b>		
<b>ITEM</b>	<b>PART NUMBER</b>	<b>DESCRIPTION</b>
1	109258	PROBE ASSY, LEVEL, TOP
2	111103	SEAL PORT, THERMISTOR
3	109232	BOILER, TEMPERATURE CUT-OUT
4	400044	BOILER, LID
5	109312	BOILER SEAL, 8 PORT, BOILER
6	110312	A, BOILER, 8 PORT, REV INLET VOCE SP
7	111116	SEAL PORT, VALVE, (A.u.K MÜLLER)
8	106868	KIT VALVE&SEAL (A.u.K MÜLLER)
	104532	VALVE, DISPENSE, REPAIR/REBUILD KIT (A.u.K MÜLLER)
	111118	VALVE, DISPENSE 24V DC (BETA)
	111119	VALVE, DISPENSE, REPAIR/REBUILD KIT (BETA)
9	109231	PROBE THERMISTOR
10	111103	SEAL, BOILER, BLANK, THERMISTER (has Hole for Probe)
11	403004	SNAPPER CLIP, 30
12	109309	SILICON PIPE, 8MM x 12.5MM (WATER TANK TO BULKHEAD)
13	403003	UNIX CLIP, 19MM
14	110785	HOLDER, SENSOR 3 HOLES
15	109232	TEMPERATURE CUT-OUT
16	111101	SILICON PIPE, 12MM x 16MM (GREY HOSE FROM DRAIN PAN)
17	109246	ELEMENT, 1200W, 120VAC - USA
Not Shown	111104	SEAL, BOILER, BLANK (NO HOLE)
Not Shown	110311	PAD, INSULATION WRAP-A-ROUND
Not Shown	111102	PIPE, SILICONE 6MM / 9.5MM (MIXIN BOWL TO DISPENSE HEAD)
Not Shown	103515	TUBING-U.K.-AQUAVEND-.375 ID (this is the tubing from the Water Inlet Valve to the Tank Lid Assy.)
Not Shown	402407	LOOM LINK US ELEMENT VOC
Not Shown	110815	COVER, BOILER RH US
Not Shown	402479	COVER, BOILER LH US

# OLTRE BREWER-FRESHBREW USA



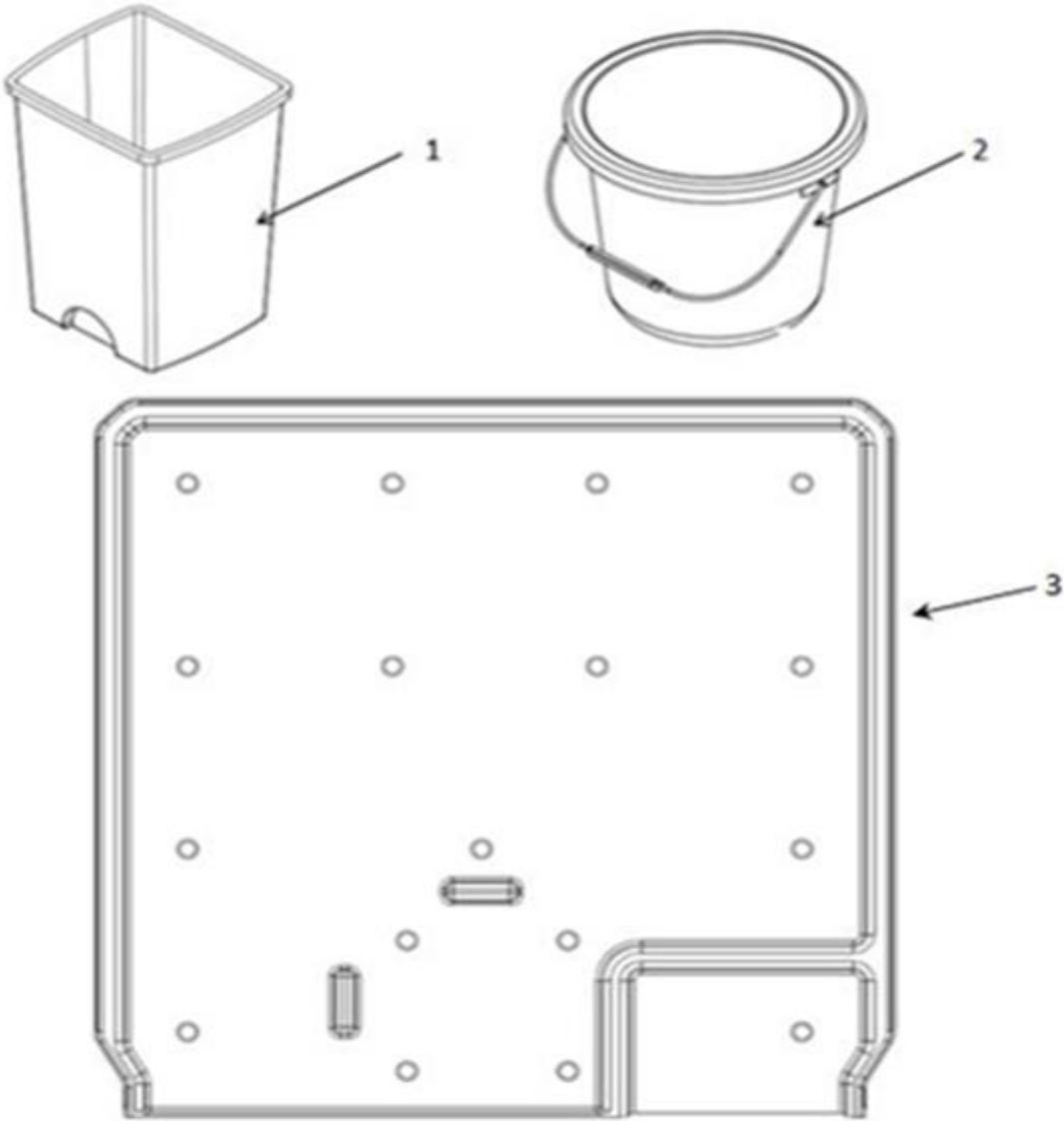
<b>OLTRE BREWER-FRESHBREW</b>		
<b>ITEM</b>	<b>PART NUMBER</b>	<b>DESCRIPTION</b>
1	109263	BREWER ASSY., OLTRE 83MM, COMPLETE
2	109296	STEAM TRAP FOR BREWER
3	109297	MIXING BOWL
4	109298	ADAPTOR, BOWL
5	109277	CASIC MOTOR, 24VDC, ZYT28T-CS-014
6	104505	SHAFT, GEAR MTR, DRIVES SUPPORT CHAMB.(Part of the Brewer Assy)
7	111085	CLEANING RIBBON (RIGHT SIDE ONLY)
8	110801	OLTRE BREWER DRIVE ROLLER, KIT
9	111086	RELEASE HANDLE
10	109300	SPOUT ID6 FOR COFFEE
11	109264	COFFEE BELT ASSY. - 83MM-SINGLE
12	109267	COFFEE FILTER- BELT (6 pack)
13	109265	COFFEE BELT FILTER- SINGLE
Not Shown	109299	LOWER CHAMBER ASSY., COFFEE ID83
Not Shown	110765	BREWER LOOM
Not Shown	N/A	O-RING FOR SPOUT ELBOW (PART OF 109300)

# EXHAUST FAN ASSEMBLY









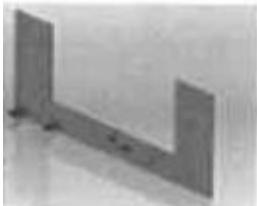
EXHAUST FAN ASSEMBLY		
ITEM	PART NUMBER	DESCRIPTION
1	402454	MOUNTING BRACKET, EXTRACT FAN
2	109259	EXTRACT FAN, 120VAC, USA
3	110761	HOSE, DUCTING RIBBED BLACK (a total of 34 Inches are needed)
		1 - 9" (goes from the Extract Fan to the Tee)
		1 - 9" (goes from the Tee to the Left-hand side of the Exhaust Tray)
		1 - 16" (goes from the Tee to the Right-hand side of the Exhaust Tray)
4	110388	CABLE TIE
5	111079	EXTRACT HOSE ADAPTOR
6	402443	'T' PIECE - 11/4"
Not Shown	110793	MESH SCREEN, 14 x 14, 0.02"

# LIQUID & GROUNDS BUCKET/FLOOR LINER















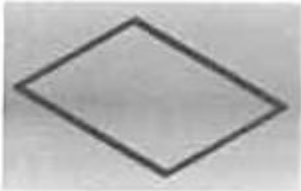



<b>BUCKETS AND LINER</b>		
<b>ITEM</b>	<b>PART NUMBER</b>	<b>DESCRIPTION</b>
1	111080	BUCKET, 24L FB WASTE - GREY
2	111078	BUCKET, 9L, SILVER
3	104434	MODIFIED VOCE FLOOR LINER







## MISCELLANEOUS PARTS

ITEM	PART NUMBER	IMAGE	DESCRIPTION
1	110750		M5X10 TAPTITE POZIPAN
2	N/A		SCREW, M4 X 35 PZ PAN
3	103213		INTERFACE DEX HARNESS
4	104468		NUT, FASTNR M4X.7 KNURLED THUMB
5	104074		CUP STAND
6	110643		BLANK SWIPE BRACKET VOCE
7	110740		ATM WHITE BUTTONS



8	104466		Screw, M5 X 6 PAN HEAD
9	N/A		M5 EXT CER.S/PROOF 11XP
10	N/A		M8 FULL ZP
11	N/A		WASHER M8 SPRING TYPE A
12	N/A		M4 EXT SHAKEPROOF
14	N/A		WASHER M8 STEEL FORMA-ZP
15	110753		SCREW, M4X25 POZIPAN
16	110752		M5 FLANGED NYLOC

17	104474		TWIST C/W STANDOFF
18	N/A		M8 X 20 CSK SKT BZP
19	104476		STOP FOOT BUCKET
20	110754		GROMMET RUBBER SEMI BLIND
21	110796		GASKET , 8.4 LCD DISPLAY
22	104488		3/8- TUBE X 3/4 BSP(REAR CONNECTOR)
23	104489		3/8 TUBEX3/8 STEM ELBOW
24	104511		CUP CATCHER L BRACKET

25	N/A		BUNG CANISTER
26	N/A		GLASS WASHER FIXING
27	104522		BLANKING BLUE SWIRL
28	N/A		CAUTN HOT BEVERAGE
29	103975		CAUTN HOT SRFCE SP/ENG
30	103968		DECAL BACKFLOW PROTECTION

## MISCELLANEOUS PARTS CONTD.

Part number	Description
104478	FACIA, FLAP COIN, STAINLESS
104399	GASKET, 8.4" LCD DISPLAY (25 inches needed)
104411	MAINS LEAD IEC - USA
110775	HARNESS, MEDIA DOOR LOOM
110774	HARN LVDS TO DSP LOOM
106537	ASSY., BRACKET, CUP STAND
N/A	ASSY., PLATE, COVER
106529	A, BRACKET, CDU MOUNTING with PEM
106698	BRACKET, DISPLAY MOUNTING with PEM
111541	ASSY., CUP CATCHER
111357	MOUNTING ASSY., VALIDATOR
106528	BAND, TURRET, CDU
104523	VEND AREA, 90MM
111354	ASSY., CARD READER MOUNTING
104415	DECAL SET, INTERIOR-ENGLISH
103975	LABEL, CAUTION HOT SURFACE
103972	LABEL, WARNING, HIGH VOLTAGE
102158	LABEL, R, NOTICE, GFCI, EQUIPMENT MACHINE
102517	LABEL, R, WARNING GFCI POWER CORD, ENGLISH
103907	USA DOLLAR PRICE MENU
109308	USA SEL DCL STRIPS MENU
104394	NUT, RIVET, M4 x 0.7
N/A	PILE WEATHER STRIP-GREY, GASKET
100333	SCREW, 8-32X5/16 PHLPN (used on Grinder Assy.)
107379	T BOLT #8-32 X 1.375 LG
103212	HARNESS MDB COIN & VAL
110655	SPACER, CUP RING ARM ADJ
104403	NUT, THUMB CUT RING ARM ADJ
100512	TIE WIRE #PLT1M-M20
100722	GROUND, WIRE 4GREEN/YELLOW
101171	STANDOFF BAYONET NOSE, RICHCO RLCBSR-4-01SRB
110783	CABINET, CANISTER FILL BRCKT ASSY
104510	TRIMMED VEND BASE
104123	BOLT CARRIAGE 1/4-20X1/2
104428	MALE-FEMALE THREAD STANDOFF
104435	CHECK DUAL 3/8 IN VALVE
N/A	NUT, M5 X 0.8 2.7MM THK
N/A	SCREW, M4X10 LG POZI PAN
110744	M5 NYLON INSERT HEX
109342	PCB CONTROL W/STANDOFFS
110736	SWITCH, POWER ROCKER (ON/OFF)
110769	SVC LOOM EXTN KEYPAD
110766	LOOM LVDS (J10 TO TOUCHSCREEN PAD)
110774	HARN LVDS TO DSP LOOM
402433	LOOM, BRAID EARTH

